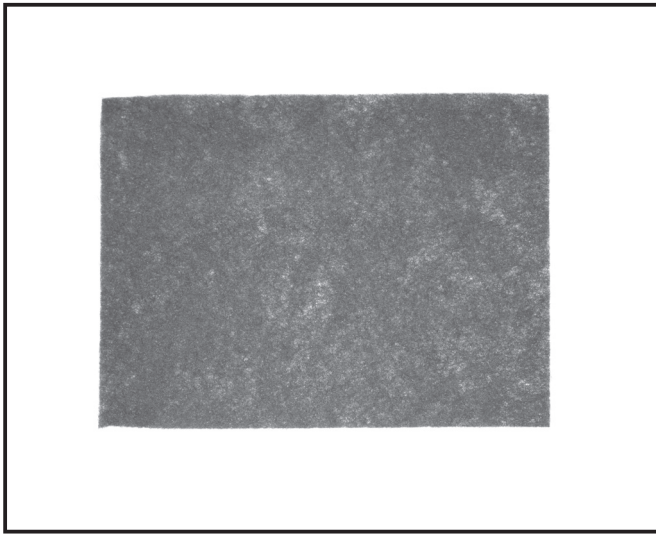




## Photo



## Descriptions

Filter Element (12 Pieces) for ceiling suspended models for professional kitchen use.

## Applicable Models

- PCA-M71HA type

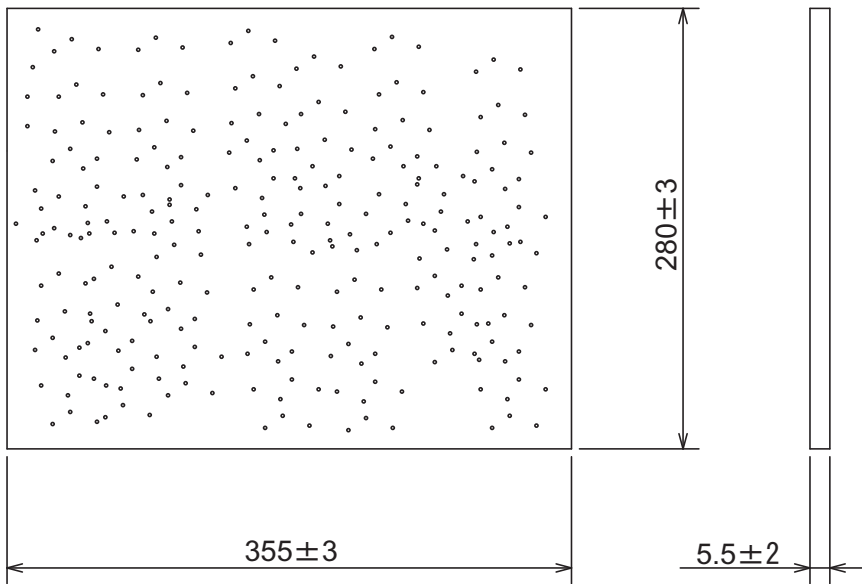
## Specifications

Material	Modacrylic fiber / Polyester
Color	Black
Temperature	60 °C or less
Reproduction	Disposable (Reproduction not possible)
Packing	12 elements per bag

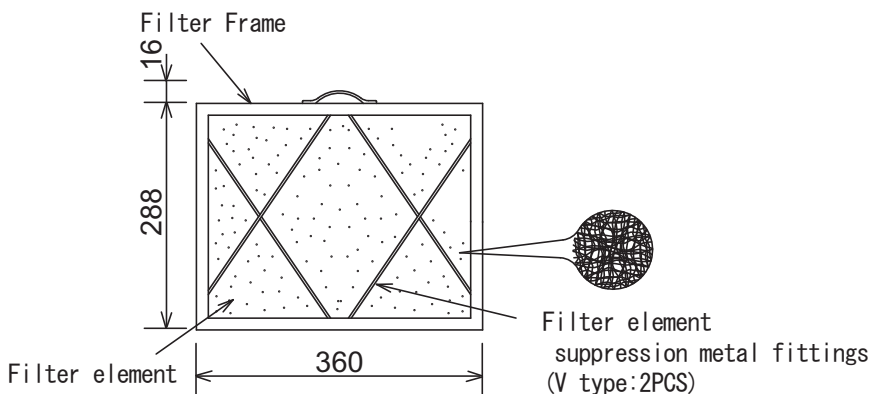
Note: Only the filter element must be replaced  
(the filter frame provided on the main body must be used)

## Dimensions

Unit : mm



### State of installation to filter frame



OPTIONAL PARTS

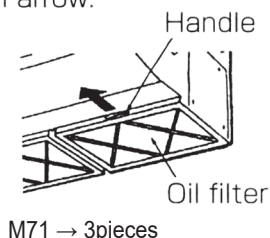
INDOOR UNIT

## How to Use / How to Install

### Cleaning the oil filter

#### 1) Removing the oil filter

- ① Remove the filter by sliding it in the direction of an arrow.



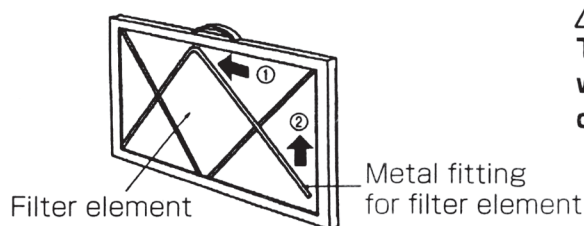
#### 2) Replacing the filter element

- ① Remove the oil filter by sliding it in the direction of an arrow.
- ② Remove the two metal fittings for filter element according to the following procedure. Bend the metal fittings towards ① side (inside) and then slide them in the direction of ② to remove.
- ③ Replace the filter element (disposable).

**Note:**

Install the filter element within the frame securely.

- ④ Install the metal fittings for filter element in their original positions.
- ⑤ Turn the side of oil filter that the metal fittings are installed downward and install the filter in the unit.



#### 3) Cleaning the frame of the oil filter

**Tools to be prepared**

- Protective goods such as a rubber glove
- Scrubbing brush or brush

**Note:**

Avoid using a metal scrubbing brush or brush since the aluminum materials could be damaged.

- Household neutral detergent or alkalescent detergent (for washing dishes or clothes)

**Note:**

If alkaline detergent is used for cleaning, the part made of aluminum could discolor.

**Make sure the filter element is removed when cleaning the oil filter.**

- ① If the filter is not so dirty. (If the filter is cleaned once a week (once per 100 operating hours).) Wash the filter with water and above-mentioned detergent using a scrubbing brush or brush, etc. (It is more effective to wash the filter with lukewarm water.)
- ② If the filter is extremely dirty. Put the previously-mentioned detergent (its strength should be about 1/10 of undiluted solution) into hot water whose temperature is 50°C or less, and soak the filter for 1 hour or more before washing.

**⚠ Warning:**

To prevent your hand from burning, start washing the filter after the hot water gets cold.

